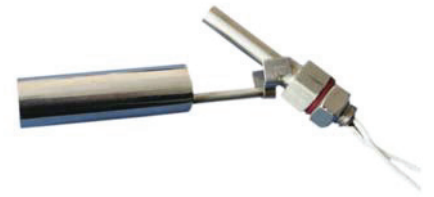


SF142 Float series level switches



Introduction

Magnetic float-level switches principle: the float which link to rod equipped with a constant magnetic field, Because of the liquid level rise or fall, make the float internal generated magnetic field, thus triggered the reed which inner rod action. Widely application to liquid level measurement, liquid level alarm and level security control field.

Features

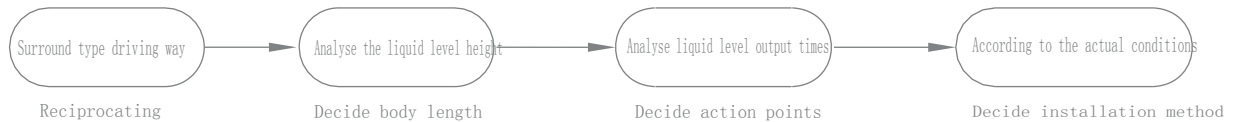
- N.O. or N.C. by reversing 180 °
- Internal installation, the connection type can be defined by the customer
- Shell material: Stainless steel
- High cost performance, high stability, long service life

Applications

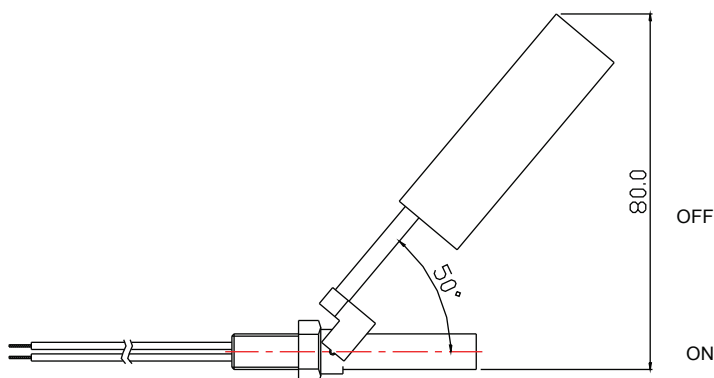
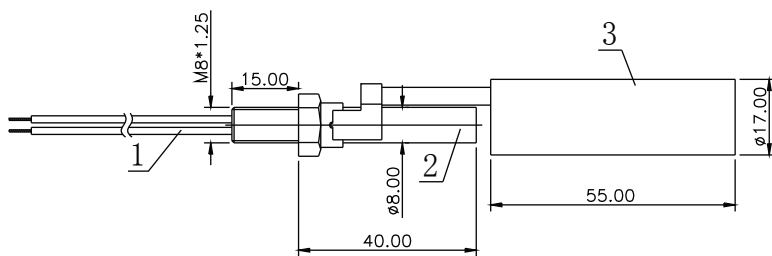
- Level control, level measurement
- Pot level measurement
- Water heater, coffee machine, water dispenser, humidifier, etc
- Container level detection

Level switches selection rules

While using permanent magnet as a trigger to drive the Mount switches, they usually according to the following method and order

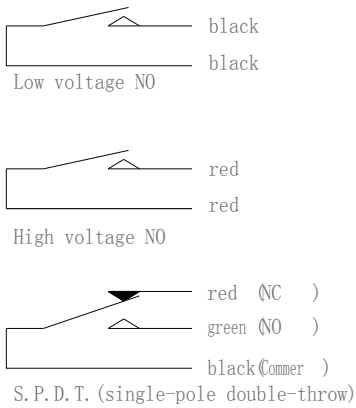


Dimensions and Operation Demonstration

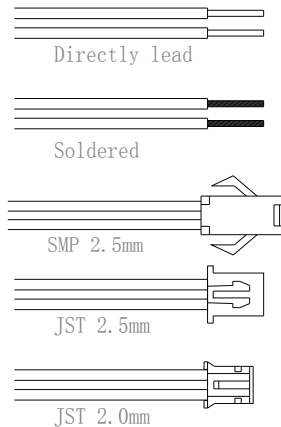


No.	Name	Specifications
1	Wire	UL1007 22AWG 80 °C 300V
2	Shell	SUS304
3	Float	SUS304

Connection mode



Outlet Mode



Electrical Specificati

Electrical Specification			
Model	1	2	3
Switched Power(max)	10W	70W	5W
Switched Voltage (max) (DC)	200V	200V	175V
Switched Voltage (max) (AC)	140V	250V	125V
Switched Current (max) (DC)	500mA	1000mA	400mA
Switched Current (max) (AC)	500mA	1000mA	280mA
Breakdown Voltage(min)	250V DC	580V DC	200V DC
Carry Current (max)	1.0A	2.25A	0.5A
Contact Resistance (min)	200mΩ	200mΩ	200mΩ
Insulation Resistance (min)	10 ⁸ MΩ	10 ⁸ MΩ	10 ⁸ MΩ
Operating Temperature	-40℃~+125℃	-40℃~+125℃	-40℃~+125℃

Note: Above the wire color, model and outlet mode can be customized

Note: Above the specifications can be customized

Products selection table

SF1	<input type="checkbox"/>	<input type="checkbox"/>	<input type="checkbox"/>	<input type="checkbox"/>	-	<input type="checkbox"/>	<input type="checkbox"/>	<input type="checkbox"/>	<input type="checkbox"/>	-	<input type="checkbox"/>	<input type="checkbox"/>	<input type="checkbox"/>	<input type="checkbox"/>	-	<input type="checkbox"/>	<input type="checkbox"/>	<input type="checkbox"/>	<input type="checkbox"/>	Selection description
Level switches installation method	1																			Vertical installation type plastics shell
	2																			Horizontal installation type plastics shell
	3																			Vertical installation type stainless steel shell
	4																			Horizontal installation type stainless steel shell
Level switches sizes code	X																			Sizes Code
Series code		X	X																	01~99
Body length					X	X	X	X												Unit:mm
Output signal									X	X	X	X								Appendix 7-1
Installation													X	X						Appendix 7-2
Wiring														X	X					Appendix 7-3
Float Type																	P			PP float
																	N			NBR float
																	S			Stainless steel float
Float code																X	X			Float code
Other else																			T	Thermal resistance

Example: SF14201-40-K1H1-M8P-Z

Horizontal installation type stainless steel shell level sensor, rod length 40mm, switch output, normally open type, 1 group output, installation Thread M8, standard PVC cable, F142 float.

